

Advantage through innovation - SeCa CC100 SHE system

G40P spindle drive, VdS



Function

VdS-tested 24V electrical spindle drive in attractive, space-saving anodized aluminium housing with stainless steel push rod. The drive has electronic emergency shut-down on overloads, continuous mounting with included slot nuts and bearing pins, and a 2.5 m silicone power cord. The drive is available with 350, 550 or 750 mm lift.

Accessories: Mounting accessories on request

Item No.:
5500011 - 5500013

System features

Unique to the SeCa CC100 radio SHE system are its cascable radio repeaters, as well as its special project planning, commissioning and service functions. The most important are the automatic commissioning function, battery and signal strength measurement, detector calling, commissioning and maintenance logs, and event memory.

Additional significant advantages are its easy operation (resetting by radio from the control panel) and its need for less wiring thanks to the fact that the drive is radio controlled. Further information — including all system components — can be found in the SeCa CC100 SHE system overview.

Areas of application

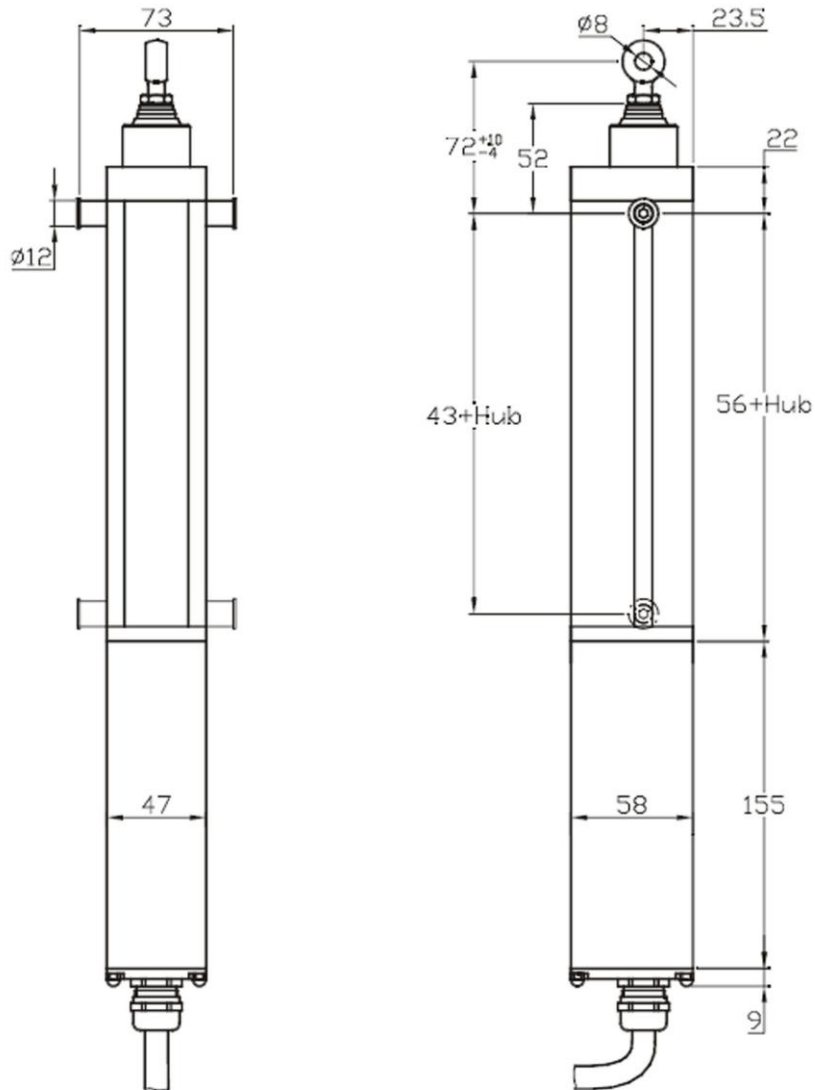
A radio SHE system designed for use in stairwells for smoke-free escape and rescue routes, and for daily ventilation.

Technical data

Nominal voltage:	24V
Rated current:	4.0 A
Thrust/traction:	According to diagram
Stroke length:	350, 550, 750 mm
Speed at full load:	12.5 mm/s
lift in 60 s (= max. lift):	750 mm
Operating temperature:	-5°C to +60°C
Temperature at SHE system:	110°C, max. 2 hours
Protection class:	IP 54
Operating mode:	S3 30%
Stability:	3500 N
Material:	Aluminium housing
Dimensions:	See separate dimensional diagram (on back)
SeCa reserve the right to make changes.	

G40P spindle drive, Vds

Dimensions:



Thrust/traction:

